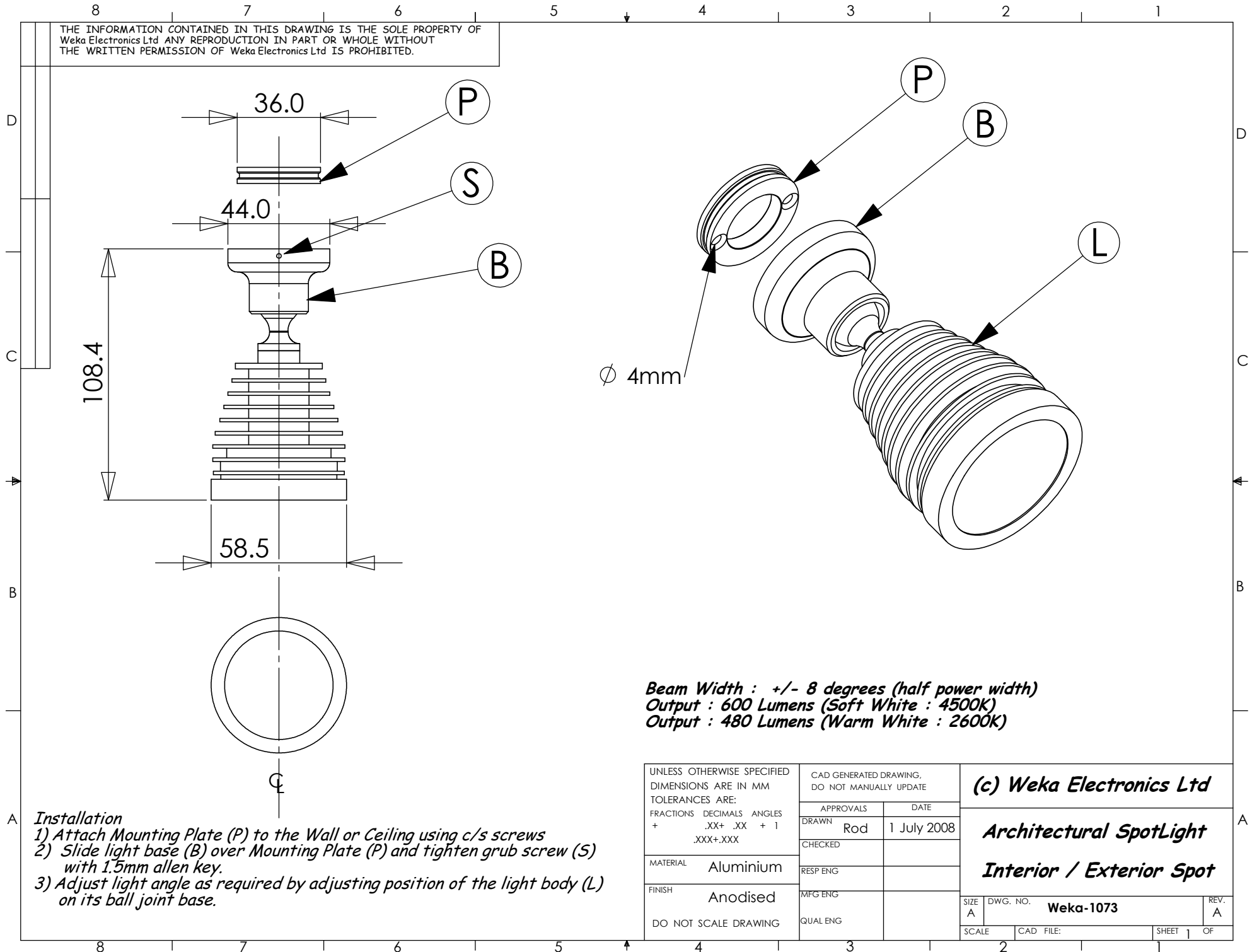


THE INFORMATION CONTAINED IN THIS DRAWING IS THE SOLE PROPERTY OF Weka Electronics Ltd ANY REPRODUCTION IN PART OR WHOLE WITHOUT THE WRITTEN PERMISSION OF Weka Electronics Ltd IS PROHIBITED.



**Beam Width : +/- 8 degrees (half power width)**  
**Output : 600 Lumens (Soft White : 4500K)**  
**Output : 480 Lumens (Warm White : 2600K)**

**Installation**

- 1) Attach Mounting Plate (P) to the Wall or Ceiling using c/s screws
- 2) Slide light base (B) over Mounting Plate (P) and tighten grub screw (S) with 1.5mm allen key.
- 3) Adjust light angle as required by adjusting position of the light body (L) on its ball joint base.

UNLESS OTHERWISE SPECIFIED DIMENSIONS ARE IN MM TOLERANCES ARE: FRACTIONS    DECIMALS    ANGLES +                .XX+ .XX + 1 .XXX+.XXX		CAD GENERATED DRAWING. DO NOT MANUALLY UPDATE		<b>(c) Weka Electronics Ltd</b>	
APPROVALS		DATE		<b>Architectural SpotLight</b> <b>Interior / Exterior Spot</b>	
DRAWN Rod		1 July 2008			
CHECKED					
MATERIAL Aluminium		RESP ENG		SIZE A    DWG. NO. <b>Weka-1073</b> REV. A	
FINISH Anodised		MFG ENG			
DO NOT SCALE DRAWING		QUAL ENG			
SCALE		CAD FILE:		SHEET 1 OF	