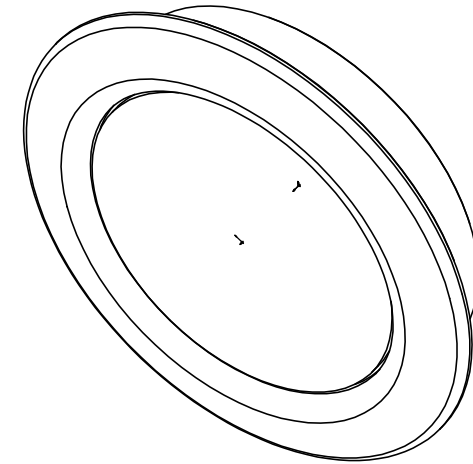
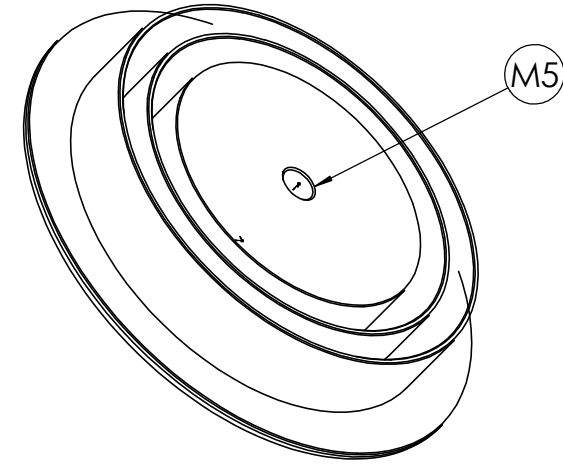
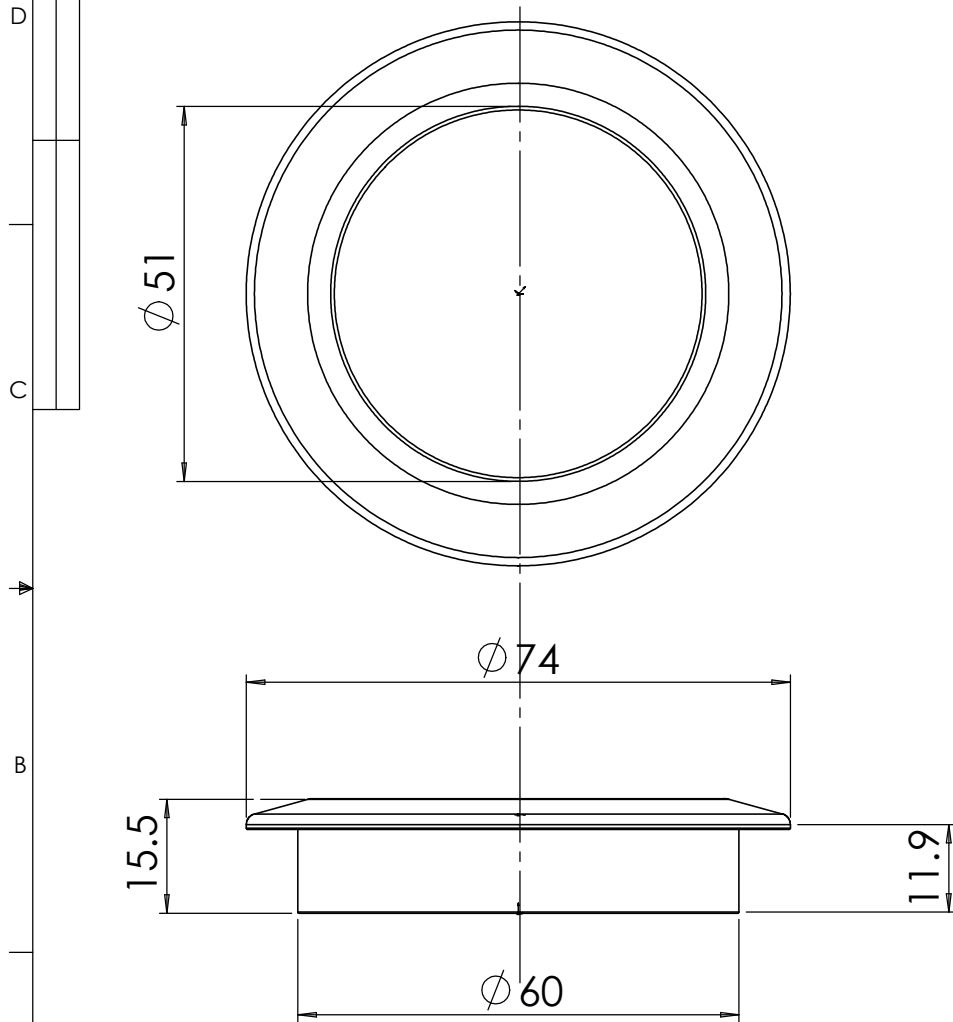


THE INFORMATION CONTAINED IN THIS DRAWING IS THE SOLE PROPERTY OF Weka Electronics Ltd ANY REPRODUCTION IN PART OR WHOLE WITHOUT THE WRITTEN PERMISSION OF Weka Electronics Ltd IS PROHIBITED.



Beam Width : +/- 60 degrees (half power width)
 Output : 600 Lumens (Soft White : 4500K)
 Output : 480 Lumens (Warm White : 2600K)

Installation :

- 1) Drill 60mm diameter hole to recess the light in the ceiling or cupboard.
- 2) Attach wiring as per electrical installation plan.
- 3) Insert m/c screw through M5 hole and loosely screw on to mounting bracket.
- 4) Slide bracket into ceiling hole, push light home and tighten screw to retain light in place. (if necessary, pull light gently down to prevent bracket spinning)
- 5) Align diffuser feet with 3 holes in the face of the light and gently push home.

UNLESS OTHERWISE SPECIFIED DIMENSIONS ARE IN MM TOLERANCES ARE: FRACTIONS DECIMALS ANGLES + .XX+ .XX + 1 .XXX+.XXX		CAD GENERATED DRAWING. DO NOT MANUALLY UPDATE		(c) Weka Electronics Ltd	
MATERIAL Aluminium		APPROVALS	DATE	NOVA Light	
FINISH Anodised		DRAWN Rod	23-7-2008	Wide Angle Ceiling Light / Recessed Light	
DO NOT SCALE DRAWING		CHECKED		SIZE A	DWG. NO. Weka-1070
		RESP ENG		SCALE	REV. A
		MFG ENG		CAD FILE:	SHEET 1 OF
		QUAL ENG			