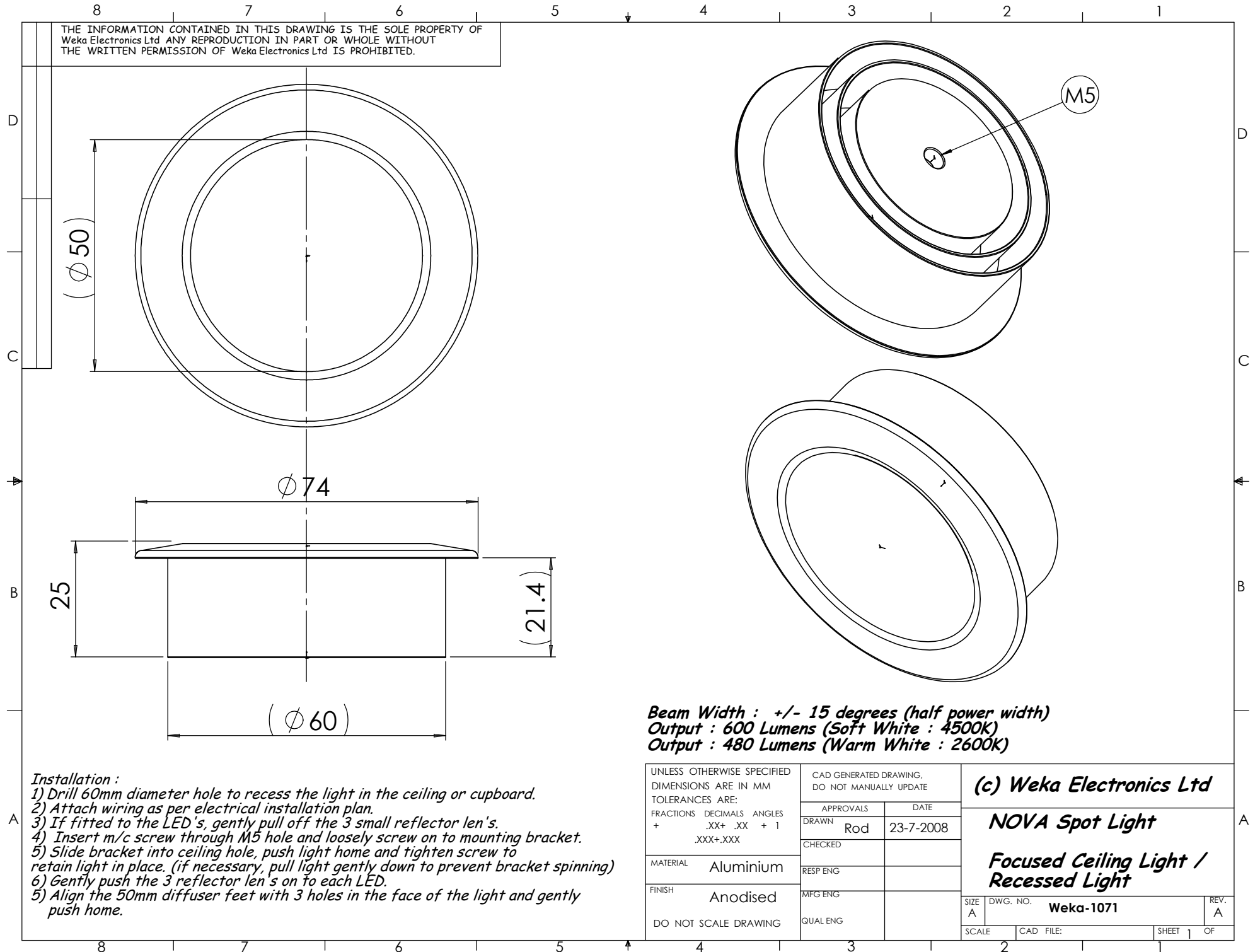


THE INFORMATION CONTAINED IN THIS DRAWING IS THE SOLE PROPERTY OF Weka Electronics Ltd ANY REPRODUCTION IN PART OR WHOLE WITHOUT THE WRITTEN PERMISSION OF Weka Electronics Ltd IS PROHIBITED.



**Beam Width : +/- 15 degrees (half power width)**  
**Output : 600 Lumens (Soft White : 4500K)**  
**Output : 480 Lumens (Warm White : 2600K)**

- Installation :**
- 1) Drill 60mm diameter hole to recess the light in the ceiling or cupboard.
  - 2) Attach wiring as per electrical installation plan.
  - 3) If fitted to the LED's, gently pull off the 3 small reflector len's.
  - 4) Insert m/c screw through M5 hole and loosely screw on to mounting bracket.
  - 5) Slide bracket into ceiling hole, push light home and tighten screw to retain light in place. (if necessary, pull light gently down to prevent bracket spinning)
  - 6) Gently push the 3 reflector len's on to each LED.
  - 5) Align the 50mm diffuser feet with 3 holes in the face of the light and gently push home.

UNLESS OTHERWISE SPECIFIED DIMENSIONS ARE IN MM TOLERANCES ARE: FRACTIONS DECIMALS ANGLES + .XX+ .XX + 1 .XXX+.XXX		CAD GENERATED DRAWING. DO NOT MANUALLY UPDATE		<b>(c) Weka Electronics Ltd</b>	
		APPROVALS	DATE		
MATERIAL Aluminium		DRAWN Rod	23-7-2008	<b>NOVA Spot Light</b>	
FINISH Anodised		CHECKED			
DO NOT SCALE DRAWING		RESP ENG		<b>Focused Ceiling Light / Recessed Light</b>	
		MFG ENG			
SIZE A	DWG. NO. Weka-1071	QUAL ENG		REV. A	
SCALE	CAD FILE:	SHEET 1	OF		