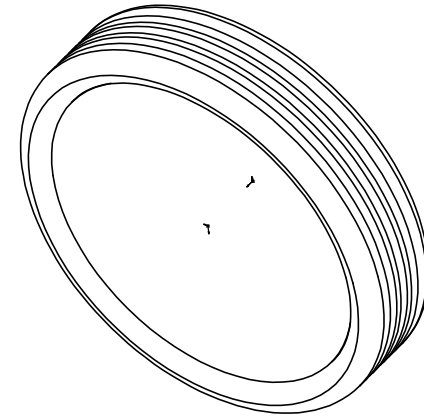
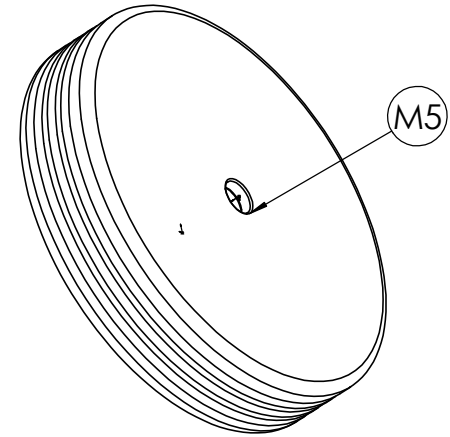
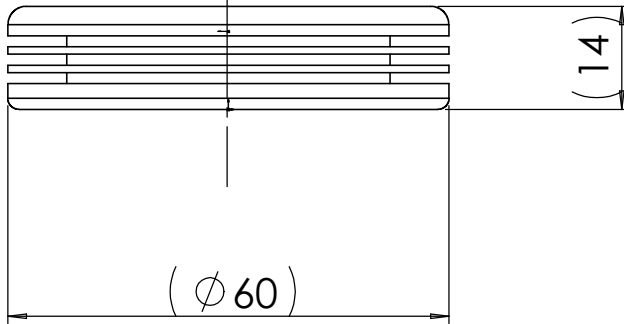
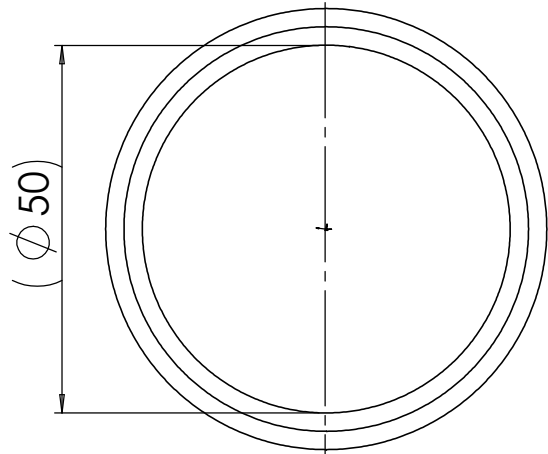


THE INFORMATION CONTAINED IN THIS DRAWING IS THE SOLE PROPERTY OF Weka Electronics Ltd ANY REPRODUCTION IN PART OR WHOLE WITHOUT THE WRITTEN PERMISSION OF Weka Electronics Ltd IS PROHIBITED.



Beam Width : +/- 60 degrees (half power width)
Output : 600 Lumens (Soft White : 4500K)
Output : 480 Lumens (Warm White : 2600K)

Installation :

- 1) This light mounts to a flush surface with a single central mounting screw.
- 2) Attach wiring as per electrical installation plan.
- 3) Insert screw through M5 hole and screw to ceiling or cupboard.
- 4) Align diffuser feet with 3 holes in the face of the light and gently push home.

UNLESS OTHERWISE SPECIFIED DIMENSIONS ARE IN MM TOLERANCES ARE: FRACTIONS DECIMALS ANGLES + .XX+ .XX + 1 .XXX+.XXX		CAD GENERATED DRAWING. DO NOT MANUALLY UPDATE		(c) Weka Electronics Ltd	
MATERIAL Aluminium		APPROVALS	DATE	SPACE Light Wide Angle Ceiling Light / Surface Mount	
FINISH Anodised		DRAWN Rod	23-7-2008		
DO NOT SCALE DRAWING		CHECKED			
		RESP ENG			
		MFG ENG		SIZE A	DWG. NO. Weka-1060
		QUAL ENG		SCALE	CAD FILE:
				SHEET 1	OF