

## 'Sky' Light \*

A High Power, Surface mount  
LED Ceiling Light

\*Registered NZ Design / patent pending



Weka Led Lighting  
P.O. Box 2102, Stoke, Nelson, 7041  
New Zealand.  
Web: [www.wekaledlighting.com](http://www.wekaledlighting.com)  
Email: [rod@wekaledlighting.com](mailto:rod@wekaledlighting.com)  
[sales@wekaledlighting.com](mailto:sales@wekaledlighting.com)  
☎ (+64) 021 996682  
☎ (+64) 03 540 2971

Weka Led Lightings new 'Sky' light is a high powered, surface mounted ceiling light designed to replace conventional recessed ceiling down lights. Not only is it one of the brightest LED lights of its size available worldwide but it has the significant advantage of not needing any hole or recess in the ceiling at all. This can significantly reduce the heat loss from the room being lit and improve the overall energy efficiency of the building. Conventional recessed down lights have a body which recesses into a cavity in the ceiling space through which considerable heat may be lost from the room. In fact the heat from the light themselves can make this worse still, since "hot air rises" and the heat generated by the light fittings encourages a chimney effect, sucking heat from the room below. Add to this the fact that most of the heat generated by the light fittings is also lost into the ceiling space AND the requirement for breaks in the ceiling insulation around each and every light and you can see that the energy efficiency of the building is going to be seriously compromised! In fact a recent government study shows that **the typical heating cost of a room can DOUBLE with as few as 4 conventional recessed down lights installed!**

See: [www.rightlight.govt.nz/residential/consumer-testing/downlight-test#about\\_the\\_test](http://www.rightlight.govt.nz/residential/consumer-testing/downlight-test#about_the_test)

This is where Weka's new 'Sky' light comes in. Not only is the light one of the most efficient types available but all the energy loss from those holes in the ceiling and breaks in the ceiling insulation has gone! Better still the small amount of heat that the light does generate is mostly returned to the room, further improving the efficiency. And of course the original advantages of down lights are retained:-

- Low profile so as not to be visually obtrusive.
- Even light levels by fitting as many as required to throw light into dark corners.
- Higher lighting levels than is generally possible with a single central fitting.
- Fewer shadows when several are fitted as the lights can be positioned where the light is needed.

Better still Weka's 'Sky' light is a wide angle light (unlike most halogen bulbs), and so the overall evenness of the lighting is usually improved when 'Sky' lights are fitted.

### Technical Specification for the Weka 'Sky' Light:

Order Code	SKY-WW-S / SKY-NW-S	Warm White or Neutral White, Silver body
Model	Sky Light	(Ask for other colour options/powder coating)
Type	Surface Mounted Ceiling Light	140x17.5mm (122mm mounting hole centre's)
Interior / Exterior	Interior and sheltered exterior use	
Maximum power input	12.8	Watts
Hologen Equivalent Type	50+	Watts
Beam Width at half brightness	70	Degrees, FWHM
<b>Warm White:</b>		
Colour Temperature	2900	Kelvin
Light Output & Efficiency (at start up)	1200 efficiency 94	Lumens Lumens per Watt
Light Output & Efficiency (at full running temperature)	1056 efficiency 82	Lumens Lumens per Watt
<b>Neutral White:</b>		
Colour Temperature	4000	Kelvin
Light Output & Efficiency (at start up)	1300 efficiency 100	Lumens Lumens per Watt
Light Output & Efficiency (at full running temperature)	1140 efficiency 89	Lumens Lumens per Watt



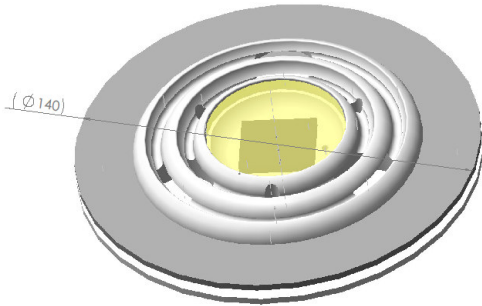
# 'Sky' Light \*

A High Power, Surface mount  
LED Ceiling Light

*\*Registered NZ Design / patent pending*

## Mechanical detail

*Perspective View: 140mm overall diameter*

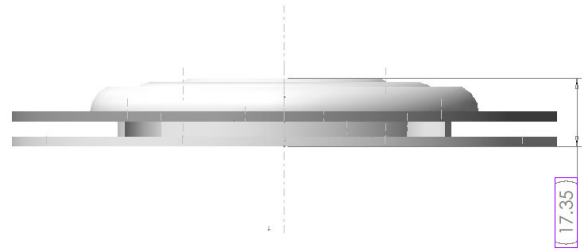


Weka Led Lighting  
P.O. Box 2102, Stoke, Nelson, 7041  
New Zealand.

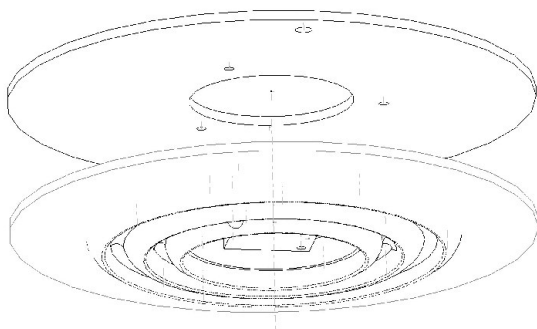
Web: [www.wekaledlighting.com](http://www.wekaledlighting.com)  
Email: [rod@wekaledlighting.com](mailto:rod@wekaledlighting.com)  
[sales@wekaledlighting.com](mailto:sales@wekaledlighting.com)

☎ (+64) 021 996682  
☎ (+64) 03 540 2971

*Side View: 17.35mm height*



*Exploded view showing 140mm mounting plate*



*Rear: Mounting plate hole center's 122mm*

